

Housatonic Valley Rail-Trail Section II and III

Public Information Meeting

Town of Monroe

Stantec Consulting Services Inc.

June 22, 2021



Introduction & Public Comment Format

- Presentation will be recorded and slides from the presentation will be posted to the project website link provided at the end of the presentation
- All questions will be answered at the end of presentation
- Submit questions via the “Raise Hand” feature on GoToMeeting screen
- Email address will be provided at the end of the presentation for additional questions

Agenda

- **Introduction**
- **Project Overview**
- **Project Considerations**
- **Public Comments & Questions**

Project Representatives

- Scott Shatzlein, PE – Town Engineer Town of Monroe
- Antonio Di Camillo, PE – Stantec Consulting Services, Inc.

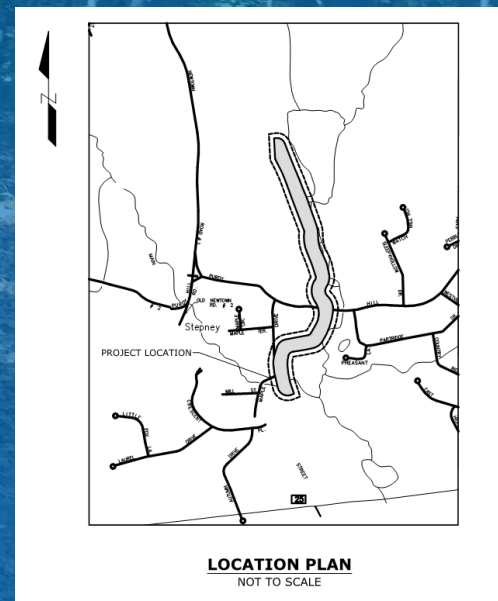
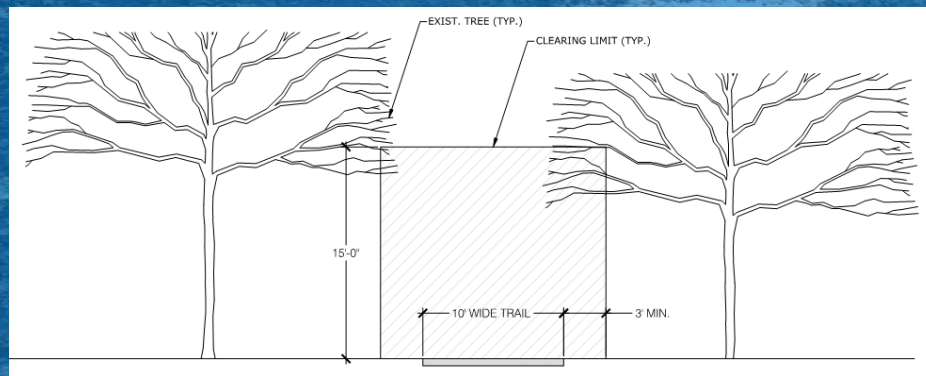
Tonight's Goals

- Provide overview of the project
- Review project impacts and opportunities
- Discuss next steps
- Receive comments

WE WANT TO HEAR FROM YOU!

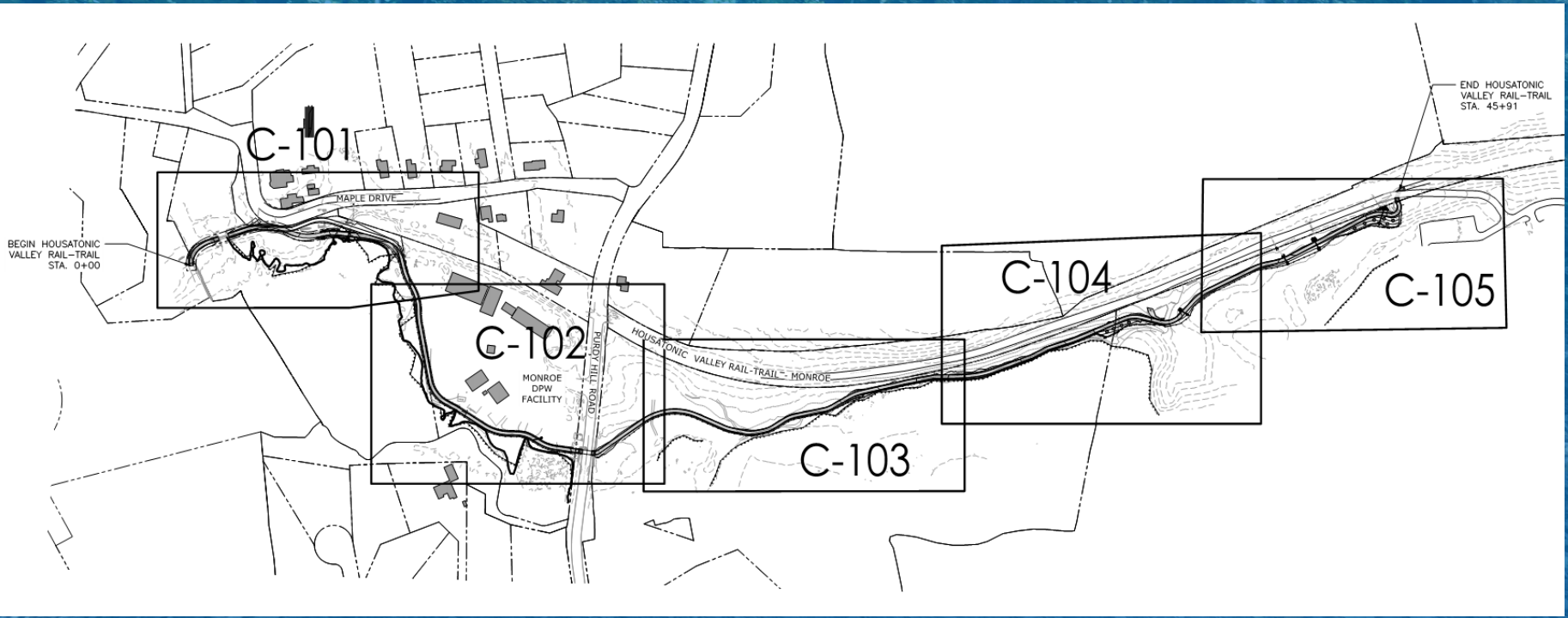
Project Overview

- Funding Source:
Local Transportation Capitol Improvement Program (LOTICIP)
Connecticut Recreational Trails Program (CRTP)
- Connection to Existing Trails
- Trail Route



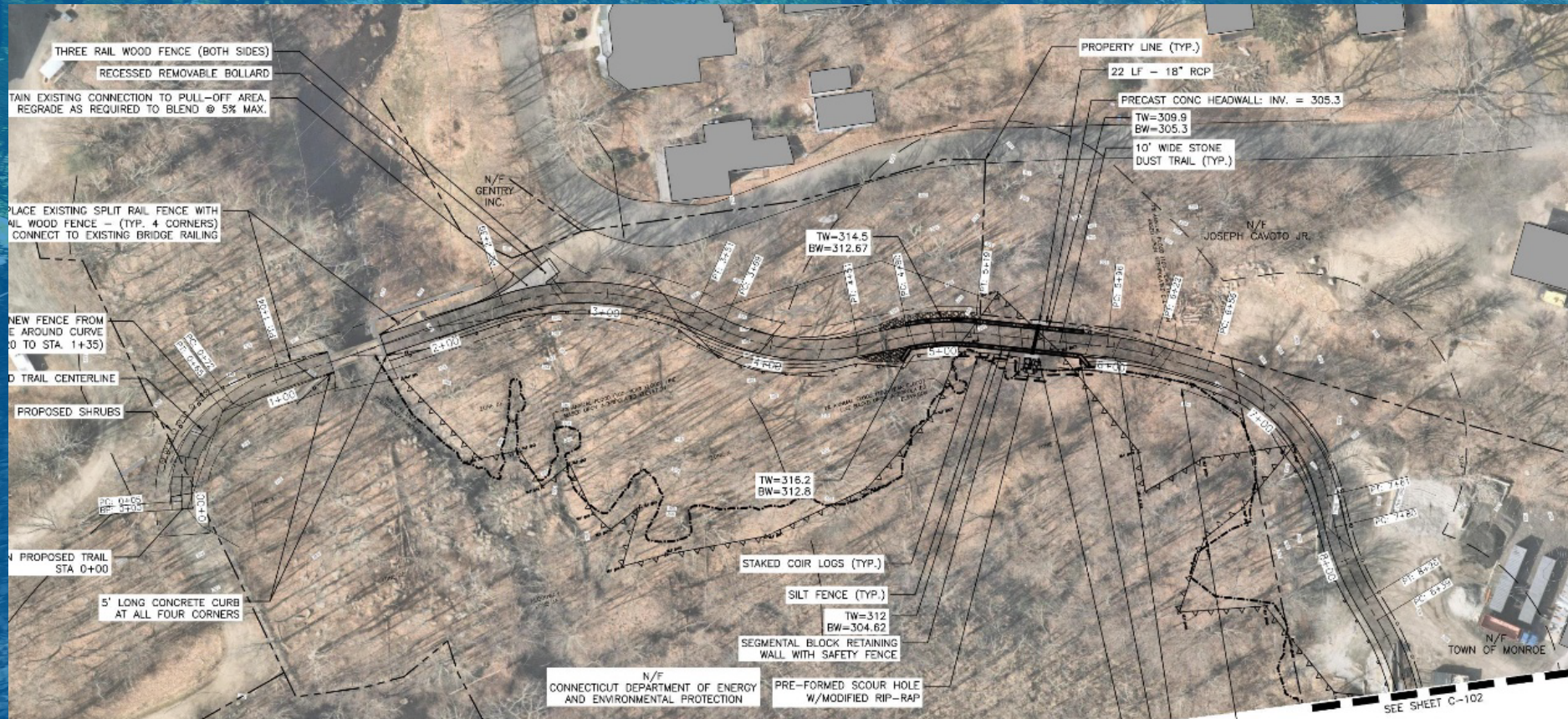
Project Overview

Index Plan



Project Overview

Trail Route



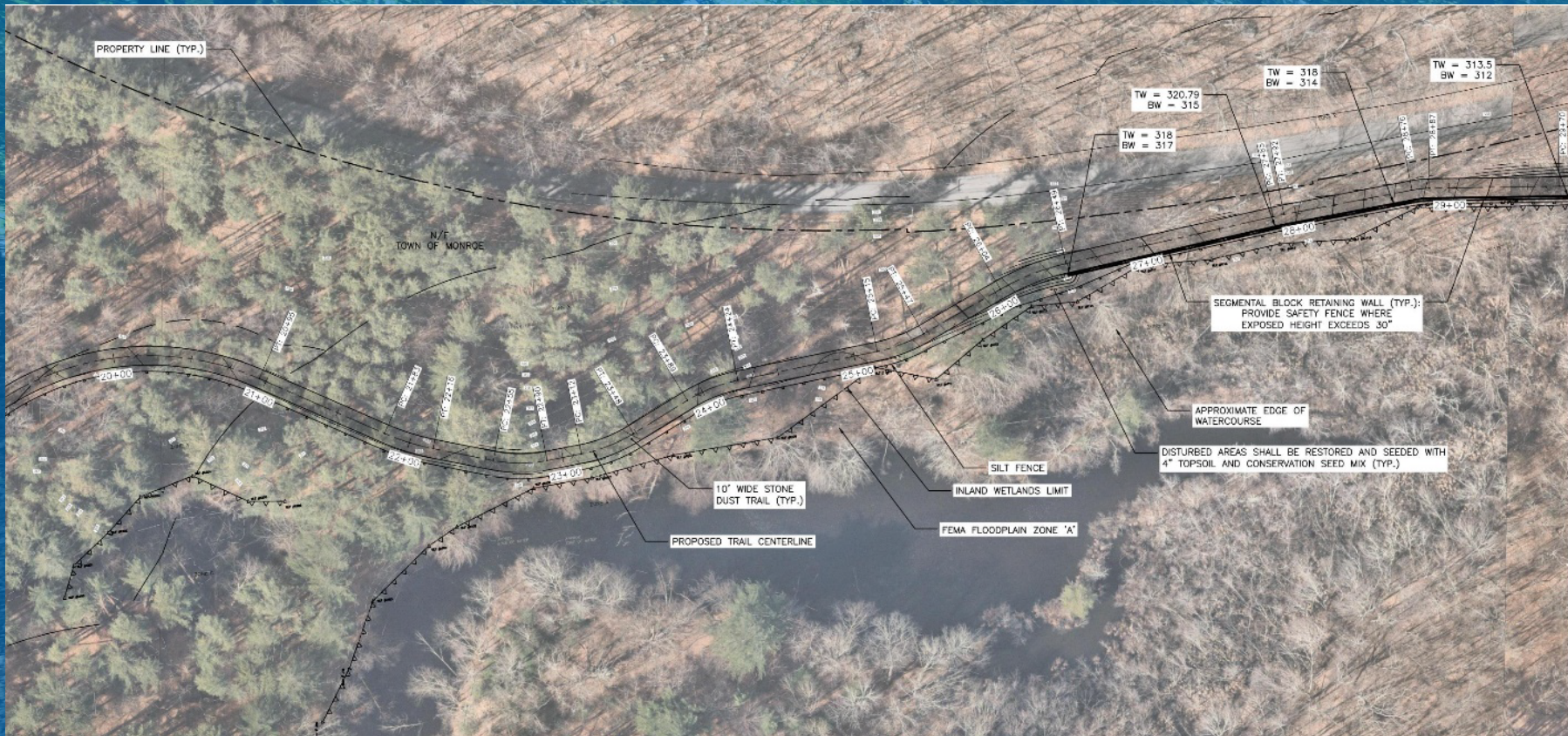
Project Overview

Trail Route



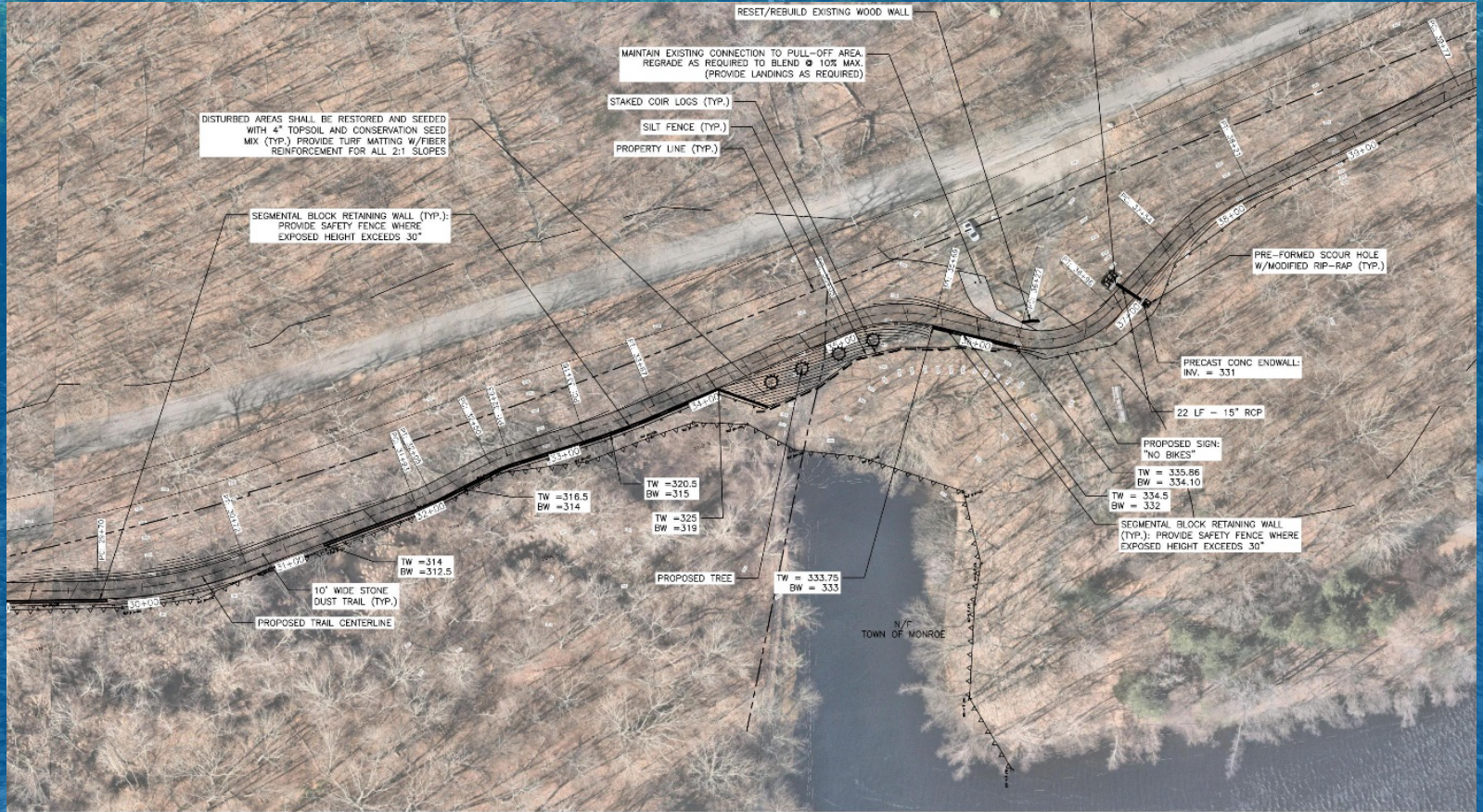
Project Overview

Trail Route



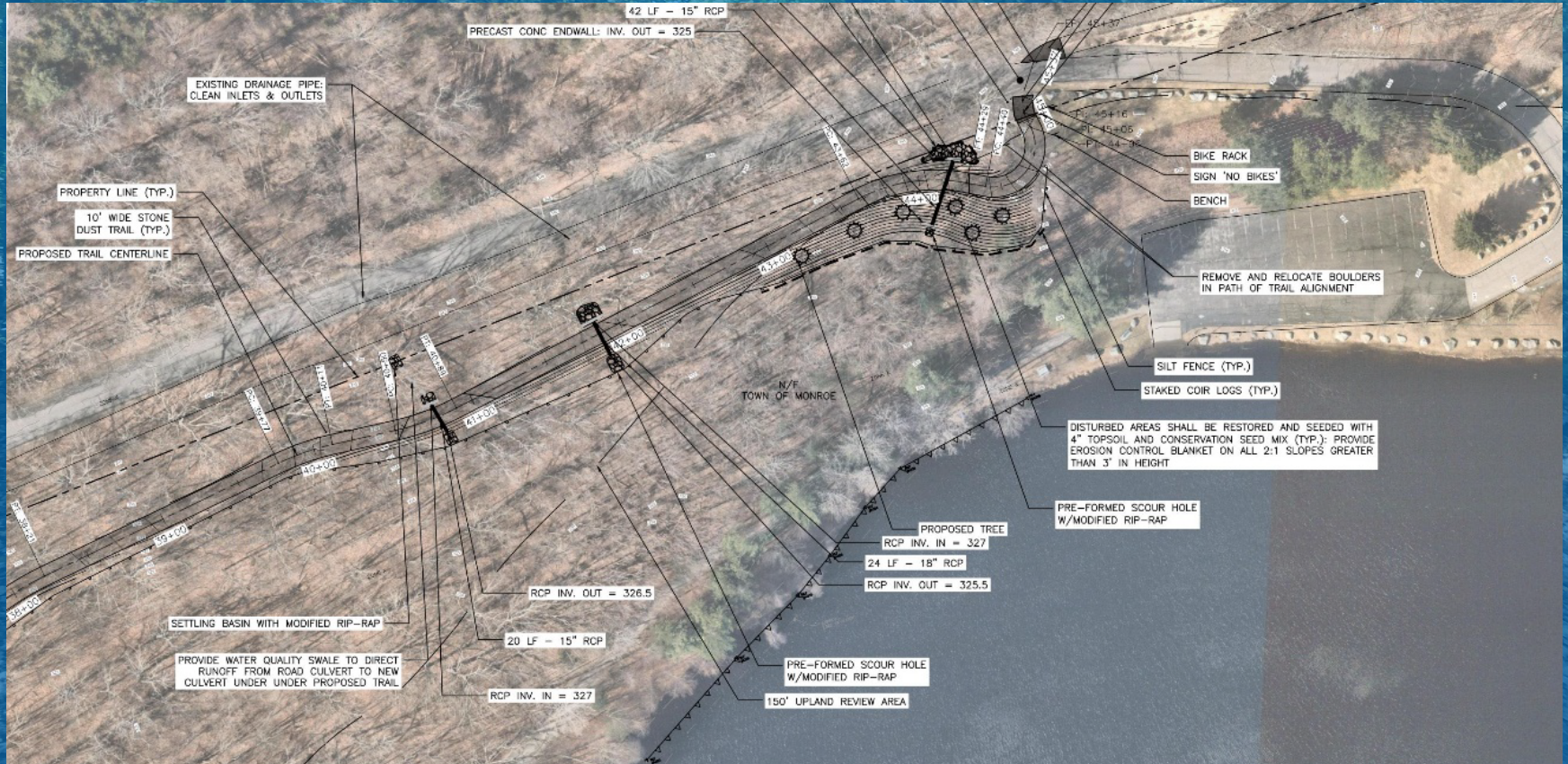
Project Overview

Trail Route



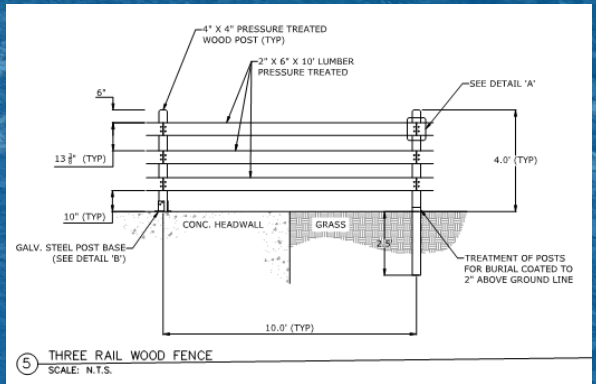
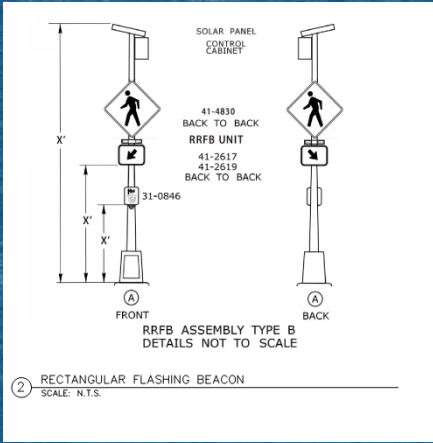
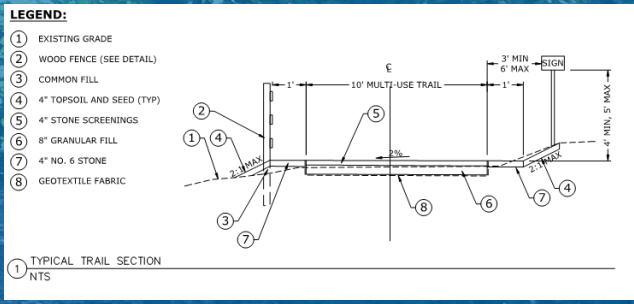
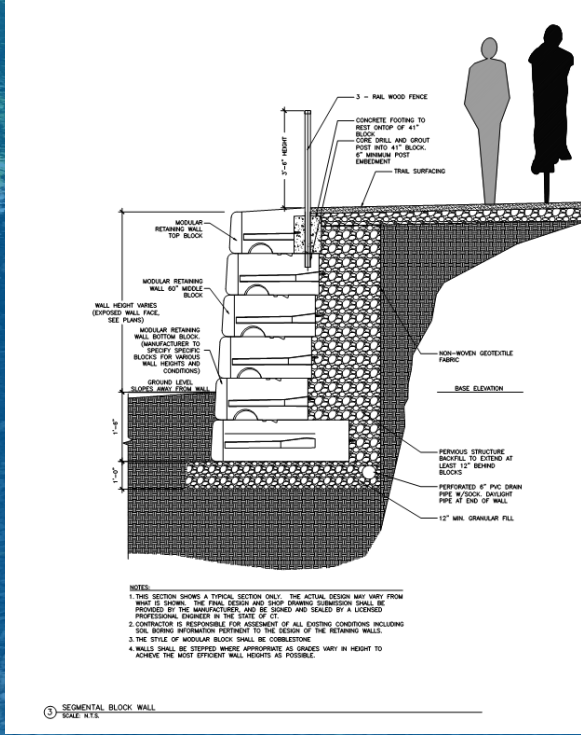
Project Overview

Trail Route



Project Overview

Details/Sections



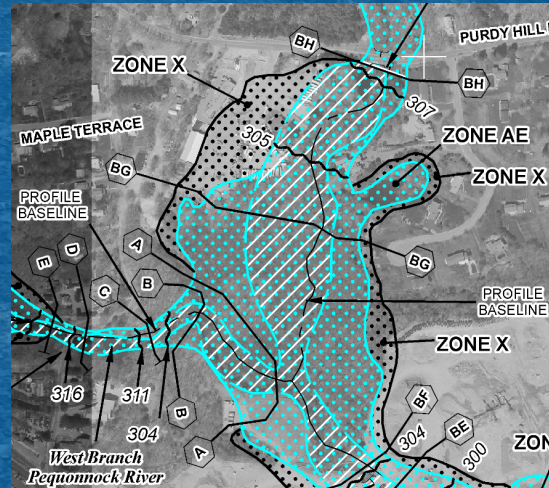
Project Considerations

Anticipated Permits:

- 8-24 Planning and Zoning Review
- Inland Wetlands Permit
- Planning and Zoning – Special Exception Permit
- Local Floodplain Permit (through Zoning Permit)
- Parks and Recreation Review
- Army Corps of Engineers (Self Verification)
- CTDEEP IW General Permit

Project Considerations

- Archaeological Investigation
- Environmental Investigation
- Floodplain Review
- Drainage Improvements



Tentative Project Schedule

- Anticipated Project Schedule
 - Preliminary Design – May 2021
 - Submit Permits – June 2021
 - Final Design – October 2021
 - Advertise Construction to Bid – January 2021
 - Start Construction – March 2022
 - Complete Construction – December 2022

Questions

- Submit questions via the “Raise Hand” feature on GoToMeeting screen. Please limit questions to 30 seconds.
- Project Contact:

Scott H. Schatzlein, PE
Town Engineer
Town of Monroe
7 fan Hill Road
203-452-8631

sschatzlein@monroect.org

Antonio Di Camillo, PE
Stantec Consulting Services, Inc.
55 Church Street, Suite 601
New Haven, CT
203-495-1645

antonio.dicamillo@stantec.com

THANK YOU FOR PARTICIPATING IN THIS VIRTUAL MEETING!

